



Product Catalogue



PDJ Vibro

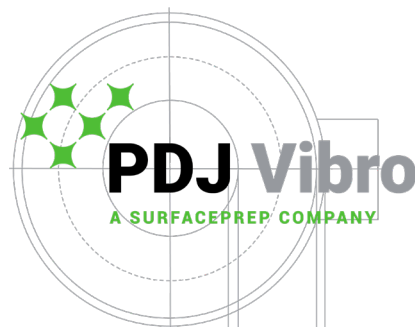
Part of SurfacePrep UK

We Deliver Results, **Beyond The Surface**



Combining heritage and craftsmanship, experience and knowledge, our 70 years of expertise goes far beyond the surface. SurfacePrep UK was built through strategic acquisitions of companies carefully chosen to enhance our product and service offering, bringing together the best of British brands. We are the UK and Ireland's leading supplier and manufacturer of surface preparation and finishing solutions creating a one stop shop for end-to-end support.

SurfacePrep UK is part of SurfacePrep, a US-based leader in surface preparation and finishing solutions since 1956. We have over 50 locations across the US, Canada and the UK, SurfacePrep is known for delivering consistent and profitable 5-star solutions for customers across a variety of industries.



A trusted leader in vibratory finishing for over 40 years, PDJ Vibro has helped countless businesses achieve flawless surfaces with speed and efficiency. With decades of engineering expertise and a commitment to reliability and service, PDJ Vibro set the benchmark in surface finishing.

The PDJ team understands the value of building lasting partnerships with clients across various sectors. With unrivalled customer service and a relentless focus on quality, PDJ Vibro has transformed the finishing industry.

PDJ Vibro joined SurfacePrep UK in 2024.

Products

Circular Vibrators
Trough Vibrators
Centrifugal Disc Finishing Machines
Tumbling Barrel Machines
Vibratory Dryers
Vibrator Floor Separation Units
Wastewater Treatment System
Centrifugal Dryer Machine
Automation system for surface treatment

Surface Finishing Consumables

Plastic Abrasive Medias
Ceramic Abrasive Medias
Ceramic Polishing Medias
Compounds
Corn Granules
Other Material for Finishing

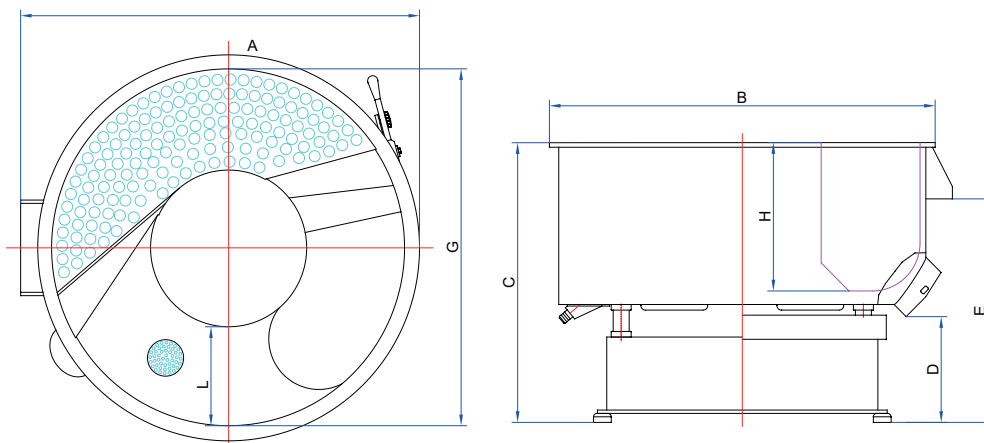
Process

Deburring
Polishing
RADIUSING
Derusting
Surface Treatment
Degreasing
Drying
Descaling
Ageing
Water Treatment

EVP-RA

Circular Vibratory Surface Finishing Machine With Rising Channel

- ✦ Easily changeable separation screen.
- ✦ EVP-RA models have high efficiency and excellent separation due to integrated ramp.
- ✦ Special design heavy -duty electric vibration motor.
- ✦ Continuously adjustable vibration control.
- ✦ Compatible with other machines and accessories.
- ✦ Optional pneumatic separation flap.
- ✦ Highly durable hot-poured polyurethane lining.



Type	Gross Volume lt	Power kW	Weight Kg	A	B	C	D	E	G	H	L
EVP-RA 100	130	1,1	365	990	944	920	430	760	820	390	220
EVP-RA 200	230	1,5	530	1190	1128	990	420	795	1000	460	275
EVP-RA 350	385	2,2	770	1420	1330	1115	400	920	1200	530	340
EVP-RA 550	650	4	1.250	1620	1550	1225	420	975	1400	620	390
EVP-RA 800	835	5,5	1.530	1830	1740	1225	420	975	1600	620	445
EVP-RA 1700	1650	11	3.050	2350	2040	1730	780	1415	1870	830	530

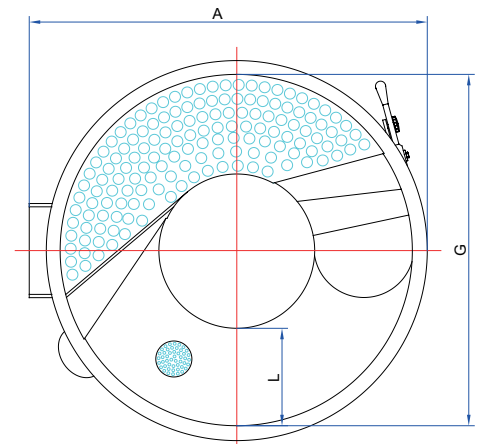
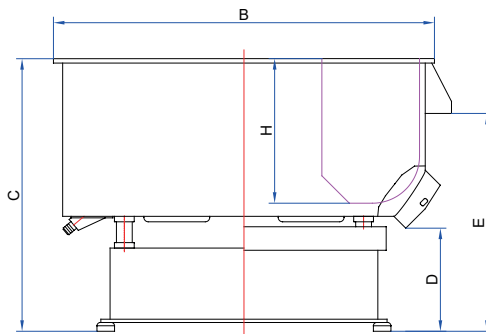
Producer can change dimensions.



EVP-A

Circular Vibratory Surface Finishing Machine With Flat Bottom Bowl

- ✦ Easily changeable separation screen.
- ✦ High efficiency and excellent surface finishing capabilities.
- ✦ Special design heavy -duty electric vibration motor.
- ✦ Continuously adjustable vibration control.
- ✦ Compatible with other machines and accessories.
- ✦ Highly durable hot-poured polyurethane lining.



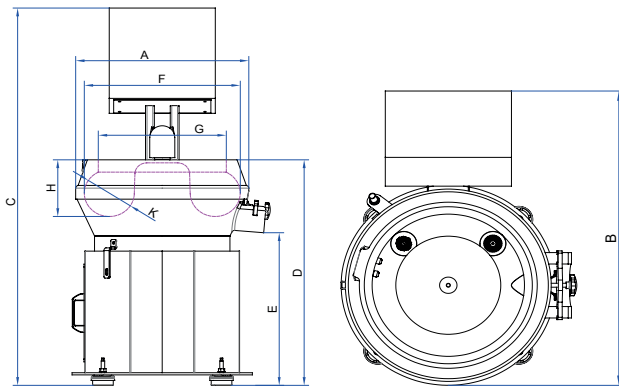
Type	Gross Volume lt	Power kW	Weight Kg	A	B	C	D	E	G	H	L
EVP-A 220	270	1,5	500	1190	1128	995	420	795	1000	460	275
EVP-A 350	450	2,2	720	1420	1330	1115	400	920	1200	530	340
EVP-A 550	735	4,0	1.200	1620	1550	1225	420	975	1400	620	390
EVP-A 800	950	5,5	1.530	1830	1740	1225	420	975	1600	620	445

Producer can change dimensions.

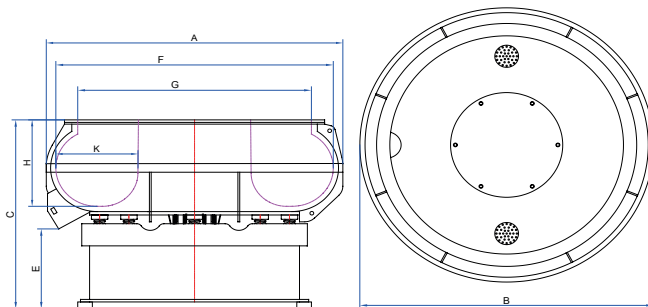
EVP-R

Circular Vibratory Surface Finishing Without Separation

- ✦ Serrated inner surface.
- ✦ Continuous channel with no separation.
- ✦ High efficiency and excellent surface finishing capabilities.
- ✦ Special design heavy-duty electric vibration motor.
- ✦ Continuously adjustable vibration control
- ✦ Highly durable hot-poured polyurethane lining.



Series A



Series B



Type	Series	Gross Volume lt	Power kW	Weight Kg	Speed	A	B	C	D	E	F	G	H	K
EVP-R 8	A	8	0,25	80	3000	380	770	1320	730	540	350	300	130	110
EVP-R 15	A	15	0,37/0,50	95	1500/3000	460	820	1320	770	550	425	350	170	137
EVP-R 30	A	30	0,55/0,95	165	1500/3000	590	950	1370	820	555	530	435	205	170
EVP-R 60	A	60	0,95/2,5	220	1500/3000	770	960	*	900	550	675	540	265	225
EVP-R 120	B	120	1,10	340	1500	1010	1050	840	*	420	930	780	307	270
EVP-R 300	B	300	2,2	620	1500	1340	1340	1000	*	450	1240	1040	415	360
EVP-R 600	B	600	4,0	1040	1500	1625	1625	1110	*	470	1520	1280	510	450
EVP-R 900	B	900	5,5	1420	1500	1890	1890	1170	*	455	1750	1470	570	520

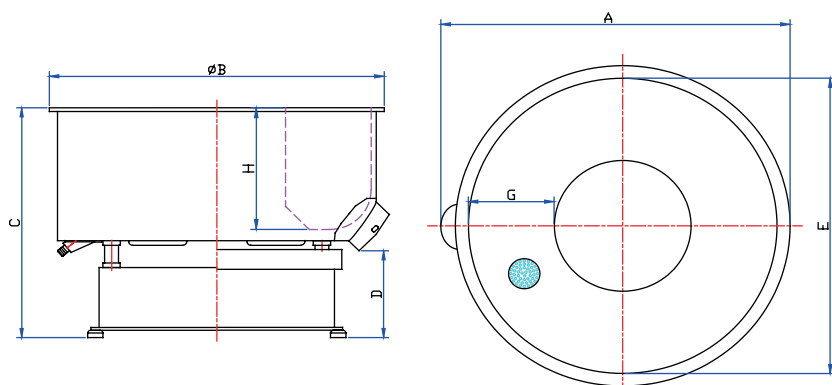
Producer can change dimensions.



EVP

Circular Vibratory Surface Finishing Machine Without Separation

- ✦ A special machine is without an integrated screening device.
- ✦ Continuous channel with no separation.
- ✦ High efficiency and excellent surface finishing capabilities.
- ✦ Continuously adjustable vibration control
- ✦ Highly durable hot-poured polyurethane lining.



Type	Gross Volume It	Power kW	Weight Kg	Speed		A	B	C	D	E	G	H
				1500 rpm	3000 rpm							
EVP-8	8	0,25	80	*	*	380	380	740	-	320	100	130
EVP-15	15	0,3/0,5	100	*	*	460	460	765	-	400	125	150
EVP-30	30	0,95	170	*	*	600	600	830	-	500	150	210
EVP-60	60	1,1/2,5	215	*	*	820	730	870	510	640	185	245
EVP-90	90	1,1	275	*		945	915	825	400	815	200	290
EVP-110	120	1,1	260	*		890	860	870	450	760	270	320
EVP-250	250	1,5	445	*		1160	1128	900	415	1000	275	365
EVP-400	400	2,2	650	*		1380	1330	1020	400	1200	340	420
EVP-550	585	4,0	1.080	*		1605	1550	1095	410	1400	390	500
EVP-800	830	5,5	1.370	*		1850	1748	1150	400	1600	445	550
EVP-1100	1100	6,0	1.750	*		1890	1840	1330	500	1650	520	600
EVP-1500	1500	11	2300	*		2110	2026	1640	800	1860	570	700
EVP-3000	3000	15	3350	*		2520	2470	1780	870	2300	750	780
EVP-3500	3500	15	3720	*		2600	2630	1780	870	2460	840	780

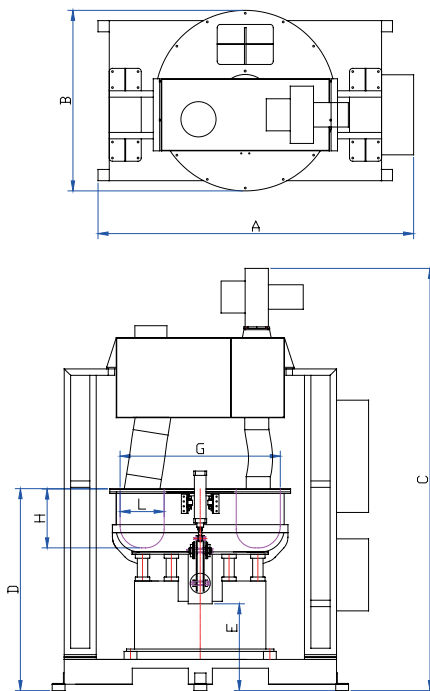
Producer can change dimensions.



EVP-YK

Dual Process Finishing Machine

- ✦ It is a full automatic machine designed for de-oiling, descaling and de-rusting on small parts, and also for polishing and drying.
- ✦ Full automatic and easy operation with touch screen PLC controller.
- ✦ Ability to use two different surface finishing compounds in the same process by means of a dual pump dosing unit.
- ✦ Fast and spotless drying with hot air blowing system.
- ✦ Space saving thanks to its compact structure.



Type	Gross Volume lt	Power kW	Dryer Power	Weight Kg	A	B	C	D	E	G	H	L
EVP-30 YK	30	0,95	2,4	360	1050	920	2210	1115	550	500	210	150
EVP-90 YK	90	1,1	3	530	1350	1050	2210	1115	530	815	290	200
EVP-250 YK	250	2,2	9	1.250	1970	1130	2640	1260	540	1000	365	275

Producer can change dimensions.



Economy Range

75 litre - 300 litre vibratory bowls

A lot of subcontractors and OEMs want to move away from manual finishing and automate the process, both for health and safety reasons and to improve consistency. Our new economy range of bowls may well be ideal for these manufacturers, although they will still have the option of our top-end machines with higher levels of engineering, control and automation.



Type	Chamber Volume Litres	Chamber Width mm	Chamber Height mm	Machine Diameter mm	Voltage/Frequency AC - V/Hz	Weight kg
TBT-75	75	225	270	790	400/50	160
TBT-150	150	210	350	1040	400/50	395
TBT-180	180	260	380	1210	400/50	550
TBT-200	200	270	370	1180	400/50	526
TBT-300	300	290	390	1340	400/50	600

Trough	Tank Inside Width mm	Tank Inside Depth mm	Tank Inside Length mm	Voltage/Frequency AC - V/Hz	Power HP/KW	Weight kg
T-85	343	330	787	Single Phase 110 / 60 220 / 60	1/0.75	181
T-184	457	476	889	Three Phase 230 / 50 440 / 50	3/2.24	318



Desk top bowl range

Dual Process Finishing Machine

- ✦ Unload chute with polyurethane expansion plug and bowl drain
- ✦ Heavy duty polymer bowl
- ✦ Sound cover
- ✦ Optional - Heavy duty stand, 26.5 litre fluid system
- ✦ Space saving thanks to its compact structure.



Type	Unload Chute mm	Gross Volume ltr	Power hp/kw	Voltage/Frequency AC-V/Hz	Height mm	Weight kg
SB-14	63	14	0.5/0.37	100/60 220/50	673	27
SB-21	90	1.1	3	1350	737	32

Aditionals	Description	Weight kg
Stand	Heavy duty stand, rotational moulded polyethylene with rubber pads on the bottom.	15
Recirculation System	26.5 litre bucket, includes pump, pump bracket flow valve, fittings and hoses.	5.4
Complete Option Pack	Stand, recirculation system	20.4



EVT-BPT

Trough Vibratory Surface Finishing Machine

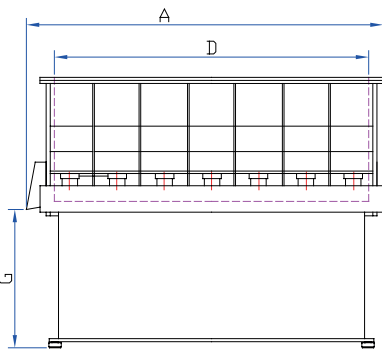
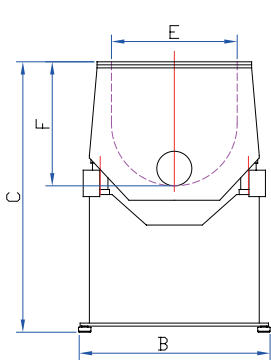
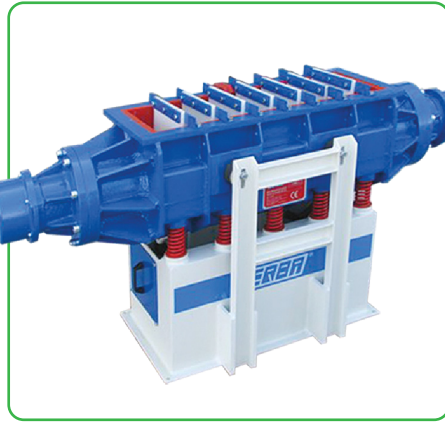
- ✦ High efficiency design.
- ✦ Special design heavy-duty electric vibration motor.
- ✦ Continuously adjustable vibration control.
- ✦ Highly durable hot-poured polyurethane lining.
- ✦ BPT models is available with 3000 rpm vibrator motor for ball burnishing.
- ✦ Machines are available with optional dividers.



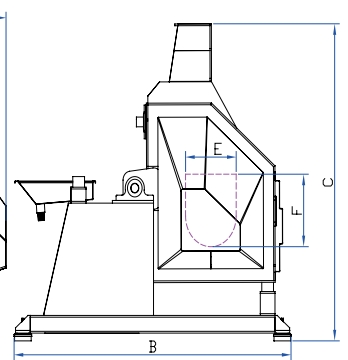
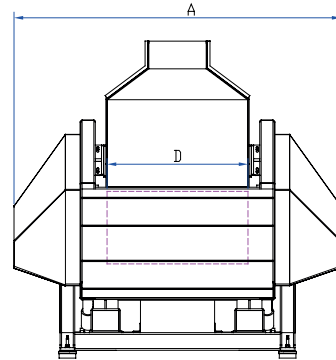
Type	Type A	Type B	Type C	Speed		Gross Volume lt	Power 1500/3000 kW	Weight Kg	A mm	B mm	C mm	D mm	E mm	F mm	G mm
				1500 rpm	3000 rpm										
EVT-20		*			*	20	1,1	110	785	385	600	520	165	210	390
EVT-50		*			*	50	3	300	960	535	1140	750	255	325	760
EVT-80	*			*	*	80	0,75	110	1055	646	940	850	275	345	600
EVT-130	*			*	*	130	1,1	400	1160	620	930	950	345	410	480
EVT-145	*			*	*	145	1,1	440	1300	620	930	1100	345	410	480
EVT-170	*			*	*	170	1,1	505	1500	620	930	1300	345	410	480
EVT-250	*			*	*	250	1,9	700	1740	720	1050	1500	400	450	540
EVT-320	*			*	*	320	2,2	770	1445	800	1160	1220	510	550	555
EVT-370			*	*	*	370	3	790	1535	1050	1200	1300	590	590	500
EVT-380	*			*	*	380	3	850	1715	800	1160	1520	510	550	555
EVT-400	*			*	*	400	4	1.250	2200	800	1170	2000	400	500	600
EVT-420	*			*	*	420	3	990	1925	800	1160	1700	510	550	600
EVT-475	*			*	*	475	4	1000	1445	914	1210	1220	610	610	545
EVT-500	*			*	*	500	5,5	1.180	1750	914	1210	1525	610	610	545
EVT-600	*			*	*	600	5,5	1.270	2165	906	1210	1925	600	585	575
EVT-620				*	*	610	5,5	1.350	1900	1000	1400	1600	700	660	680
EVT-800	*			*	*	840	5,5	1.600	1745	1034	1530	1500	750	840	625
BPT-80	*				*	80	2 x 1,5	630	1990	770	840	850	275	345	-
BPT-100		*		*		100	20 x 1,1	500	2600	515	890	1500	255	325	-
BPT-130	*				*	130	2 x 2,2	660	2200	760	1095	960	345	410	-
BPT-250	*				*	250	2 x 5,5	1425	2925	700	1010	1500	390	450	-
BPT-320	*			*	*	320	2 x 5,5	1.600	2950	1100	1170	1230	510	550	-
BPT-700	*			*		700	2 x 7,5	2.370	2650	1190	1360	1100	800	850	470
BPT-1000	*			*		1000	2 x 5,5	2.500	3415	1170	1255	1830	760	810	270
BPT-1100	*			*		1100	2 x 7,5	2.740	3810	1170	1400	2135	760	760	390
BPT-2200	*			*		2200	2 x 11	4.400	4300	1445	1500	2200	1100	990	350
BPT-E 130	*				*	130	2 x 2,2	1.620	2230	1885	1800	950	345	410	-

Producer can change dimensions.

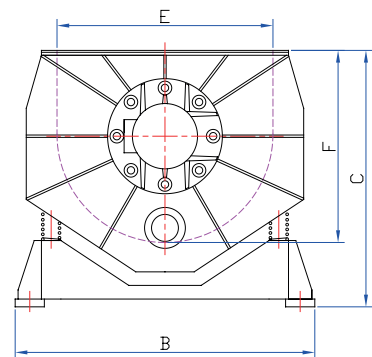
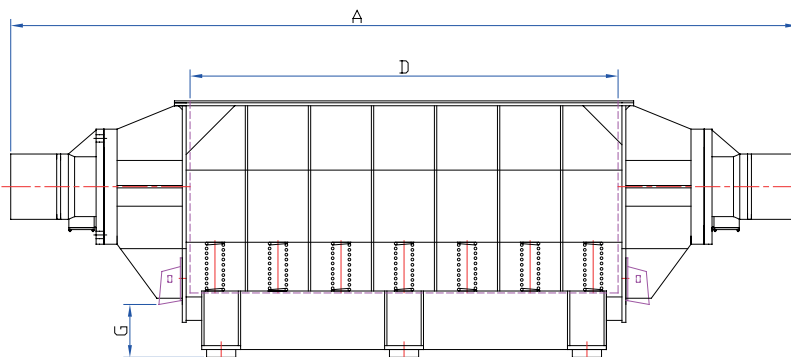




EVT



BPT-E



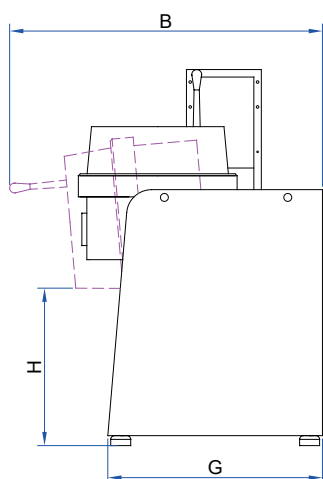
Double Vibratory Motors System



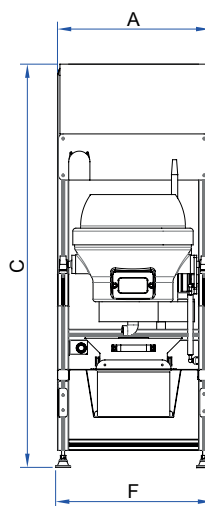
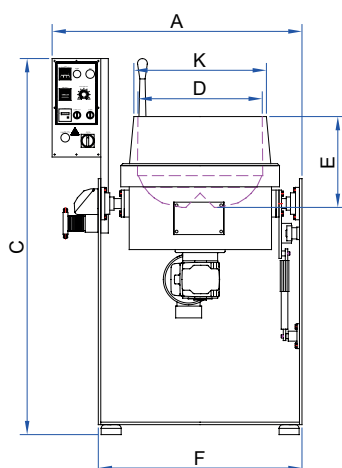
TURBO

Centrifugal Disc Finishing Machine

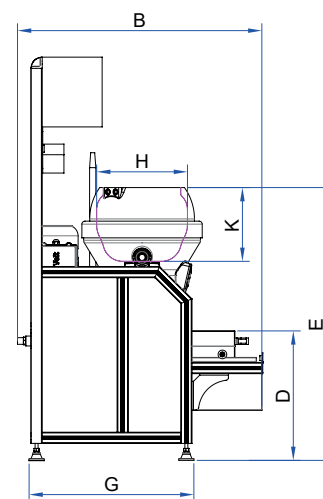
- ✦ Short process time of deburring, polishing and radiusing of small and medium size work pieces.
- ✦ Highly durable hot-poured polyurethane coated work container and disc.
- ✦ Easy changeable gap rings.
- ✦ Adjustable Speed With Frequency Inverter
- ✦ Digital process timer.
- ✦ Digital disc speed indicator.
- ✦ This model is available for dry process.



TURBO Series

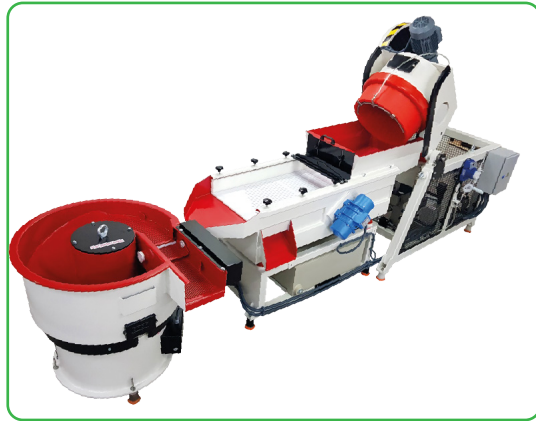


TURBO-R Series



Type	Gross Volume It	Power kW	Weight Kg	A	B	C	D	E	F	G	H	K
TURBO-60	60	3	470	1000	1250	1500	500	365	820	860	630	530
TURBO-120	120	4,18	700	1220	1260	1500	650	430	1000	1040	620	750
TURBO-200	200	9,7	1300	1470	1400	1940	775	510	1225	1220	700	890
TURBO-450	450	21,5	3150	1800	1750	1600	950	650	1500	1800	700	1050
TURBO-R 8	8	0,37	80	435	780	1620	605	1040	435	510	240	220
TURBO-R 14	14	0,55	110	535	910	1620	565	1070	535	590	290	265
TURBO-R 20	20	1,1	150	625	990	1620	520	1095	625	660	365	300
TURBO-R 35	35	1,5	185	675	1090	1620	490	1145	675	760	410	340
TURBO-R 60	60	3	280	1070	1210	1550	635	1420	865	850	510	400

Producer can change dimensions.



Changeable Ring System



Ceramic Ring



Stainless Steel Ring



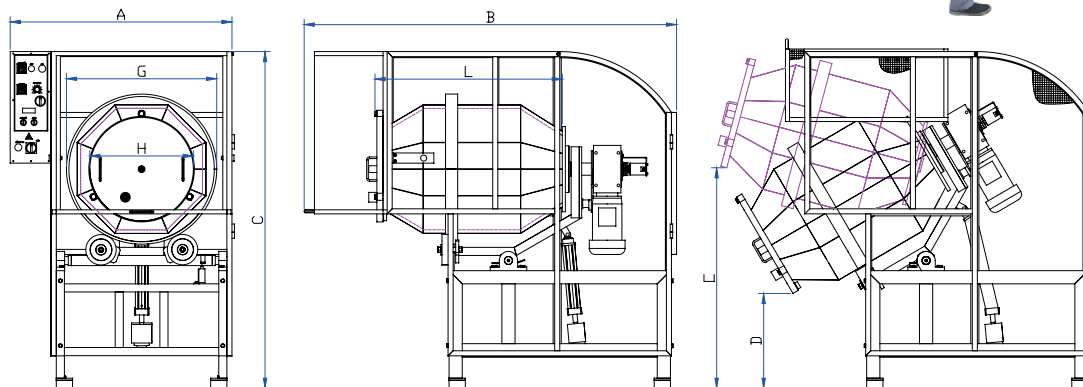
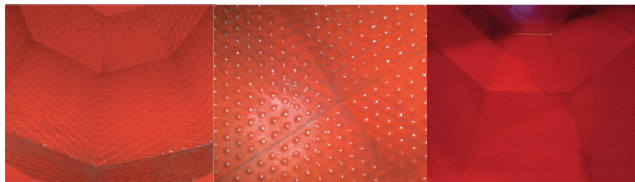
Polyurethane Ring



TAM

Tumbling Barrel Machine

- ✦ Surface finishing possibilities for very small, thin, thin-long and sensitive parts.
- ✦ Surface finishing possibilities for moving and massy parts like chain.
- ✦ Economic surface finishing possibilities for very long process time.
- ✦ Highly durable hot-poured polyurethane coated work container. Speed controller.
- ✦ Digital process timer.
- ✦ Digital disc speed indicator.
- ✦ Possibilities for continual, water and chemical supplying and discharging.



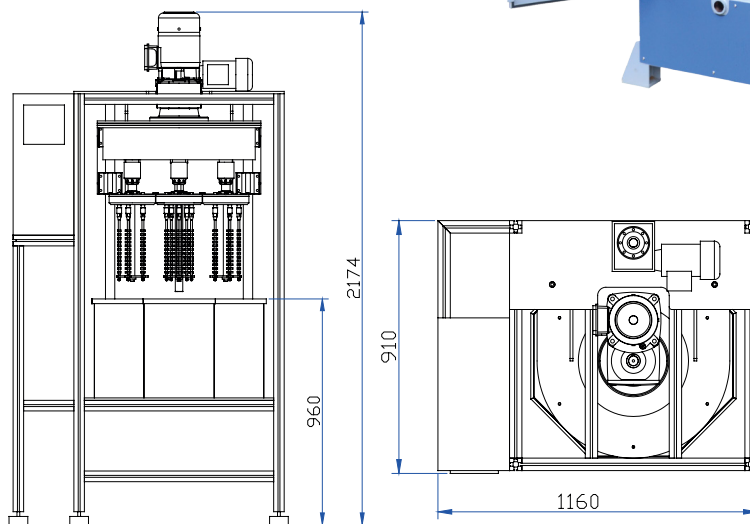
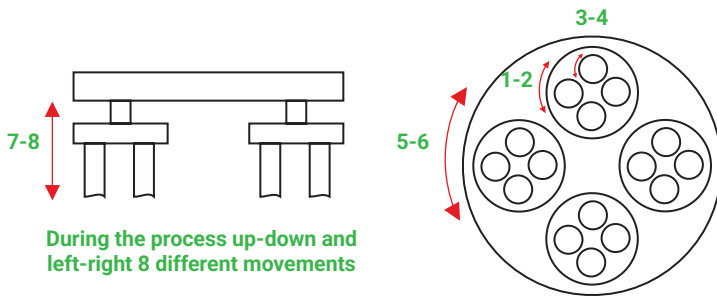
Type	Gross Volume lt	Power kW	Speed d/d rpm	Weight Kg	A	B	C	D	E	G	H	L
TAM-110	110	1,1 + 0,18	9_48	270	965	1830	1640	480	1040	560	240	800
TAM -220	220	2,2 + 0,18	9_48	475	1160	2140	1835	495	1115	745	390	870
TAM-330	330	3 + 1,5	9_48	650	1220	2460	1910	460	1175	790	420	1050
TAM-440	440	4 + 2,2	9_48	740	1314	2570	2160	720	1435	875	435	1130
TAM-550	550	5,5 + 2,5	9_48	900	1445	2510	2275	535	1445	990	510	1100

Producer can change dimensions.

EST

Drag Finishing Machine

- ✦ Adjustable tooling and configuration depending on process.
- ✦ Easy changable workpieces holder.
- ✦ Rotating and vertical movement speeds are adjustable.
- ✦ Suitable for wet and dry process.
- ✦ Controlled with touch-screen HMI/PLC



Type	Work Bowl	Power	Speed	Dimension	Weight	Vertical Distance	Holder
EST 420 - 100	95 lt	1,47 Kw	Ayarlanabilir	1160 x 910 x 2175	550kg	400mm	4 / 20

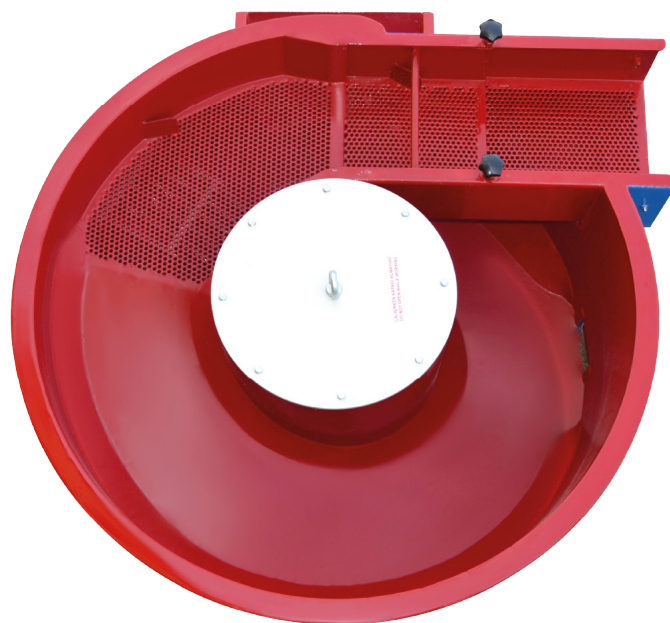
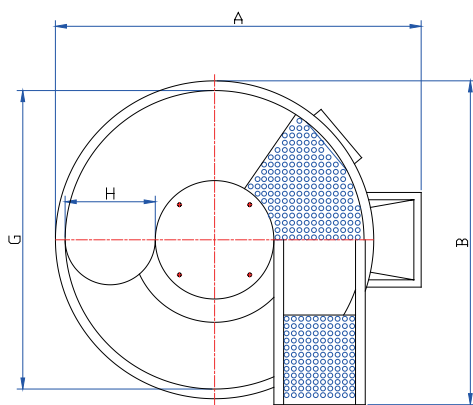
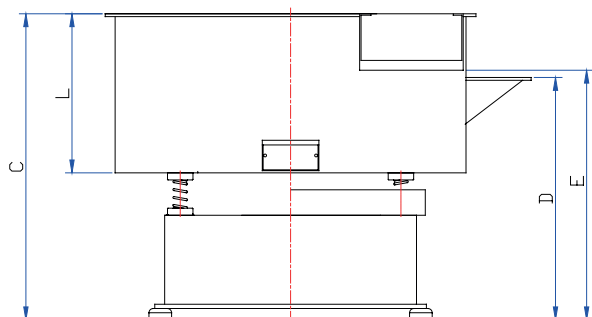
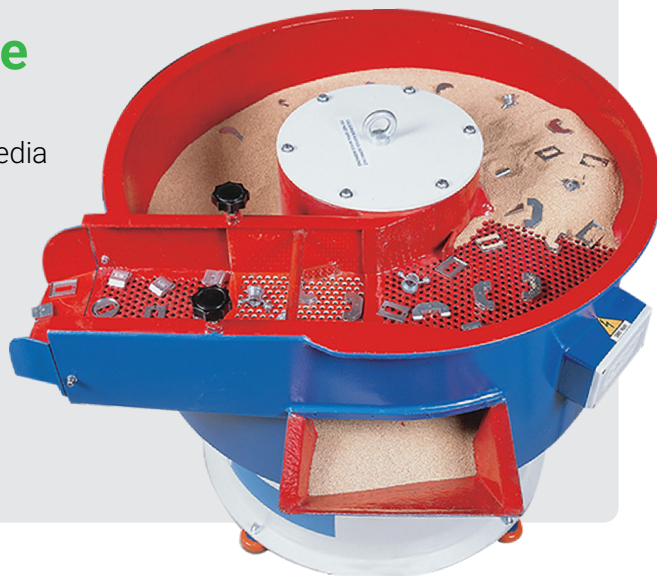
Different size and speed can be produced.



EVK

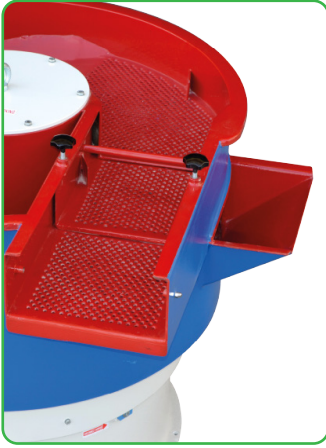
Circular Vibratory Drier Machine

- ✦ The work pieces are easily separated from the drying media with integrated ramp and screen.
- ✦ Excellent drying abilities.
- ✦ Excellent heating system.
- ✦ Modular operation in conjunction with other machinery.
- ✦ Vibration proof heating elements.
- ✦ Spray PU coated work bowl.
- ✦ Digital heat controller (optional).



Type	Gross Volume lt	Motor-Heater Power kW	Weight Kg	A	B	C	D	E	G	H	L
EVK-100	100	1,1 / 2,4	320	1080	1040	890	725	745	850	250	380
EVK-200	200	1,5 / 2,4	475	1290	1245	970	755	780	1040	310	460
EVK-350	350	2,2 / 3,6	675	1510	1415	1110	880	905	1240	380	535
EVK-500	500	5 / 4,8	1100	1735	1623	1200	945	950	1440	430	630
EVK-800	800	5,5 / 6,0	1370	1960	1820	1200	945	920	1640	480	630
EVK-1200	1200	7,5 / 6,0	2165	2280	2085	1600	1315	1245	1850	555	800

Producer can change dimensions.



EK / EDK

Centrifugal Drier Machinery

- ✦ Drying metal and plastic parts by centrifugal force and hot air.
- ✦ Robust design and easy to operate.
- ✦ Easy tilting system (Only EDK type)
- ✦ Non-removable basket in drilled AISI 304 stainless steel, hole dia 0.9 mm and 1.7 mm (Only EDK type).
- ✦ Process control timer (Only EDK type).



Type	Basket EK 40	Tiltable EDK-50	Tiltable EDK-70
Internal Basket Dimensions:	373 x 270mm	460 x 320mm	520 x 378
Theoretical Volume:	30 lt	50 lt	70 lt
Capacity:	30 lt	50 lt	70 lt
Speed:	500 d/d / rpm	600 d/d / rpm	600 d/d / rpm
Motor Power:	0,75 kW	1,10 kW	1,50 kW
Heater Power:	2,5 kW	4 kW	4 kW
Weight:	180 kg	475 kg	500 kg
Dimensions (mm) :	875 x 650 x 1.400 mm	165 x 125 x 150 mm	180 x 125 x 155 mm

Producer can change dimensions.

YAK 60

Centrifugal Oil Separation

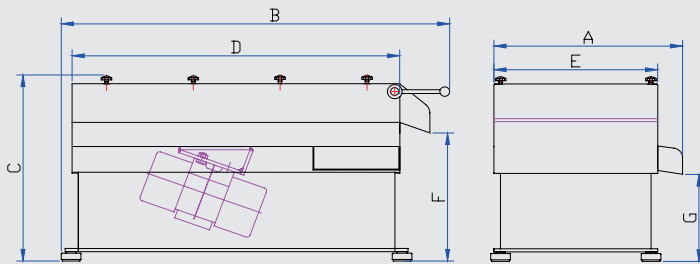
Type	YAK-60
Internal Basket Dimensions Ø x h - (mm)	Ø550 x 275 mm
Theoretical Volume:	60 lt
Capacity:	60 kg
Speed:	900 rpm/dev/dak.
Motor Power:	4 kW
Weight:	485 kg
Dimensions (mm):	1240 x 1050 x 1760 mm

Producer can change dimensions.



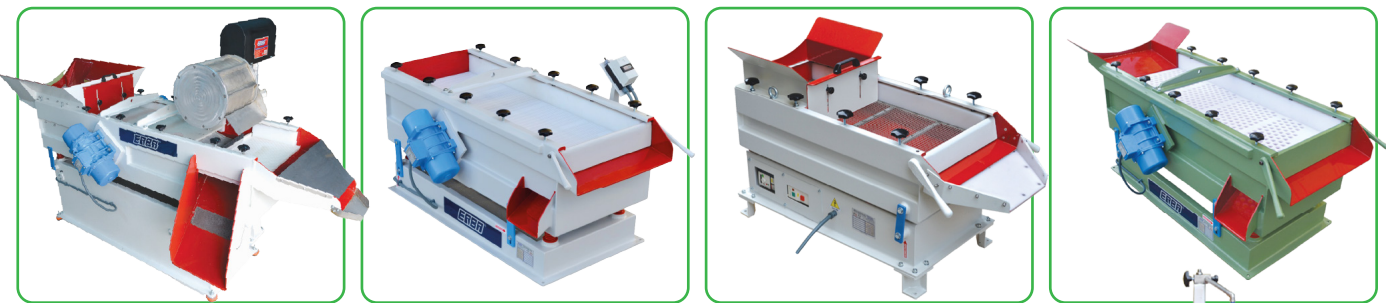
YE

Vibratory Floor Separator



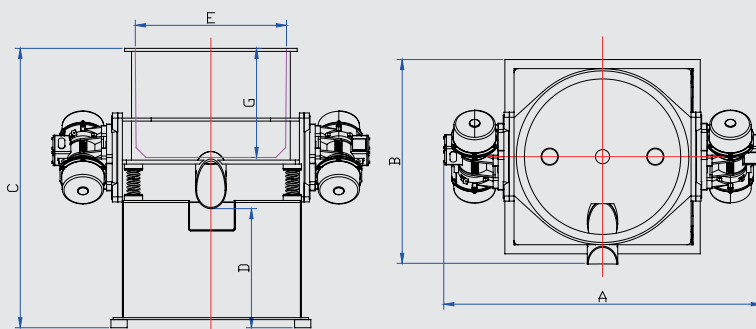
Type	Gross Volume lt	Power kW	Weight Kg	A	B	C	D	E	F	G
YE-60	60	0,3	145	540	1185	575	1000	500	420	280
YE-200	200	2 x 0,30	270	605	1550	565	1400	600	385	240

Producer can change dimensions.



YE

Vibratory Floor Separator



Type	Gross Volume lt	Power kW	Weight Kg	A	B	C	D	E	G
JVP-24	220	2 x 1,5	800	1570	1010	1390	590	745	540
JVP-44	450	2 x 3	1.450	1960	1275	1560	500	950	650

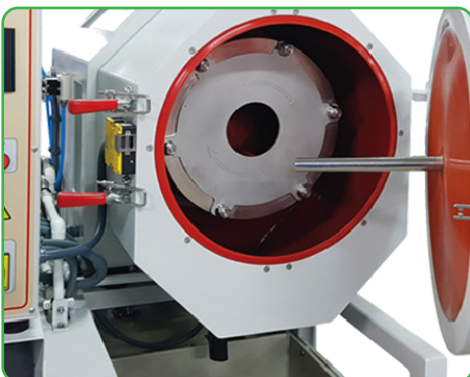
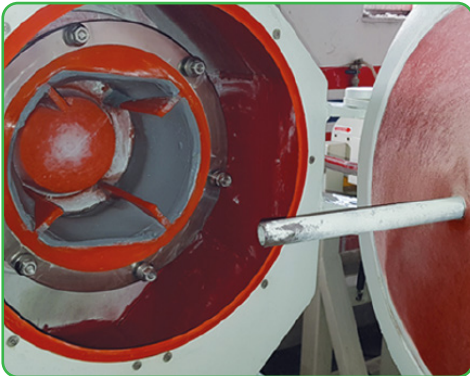
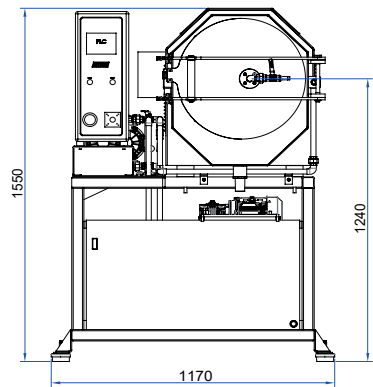
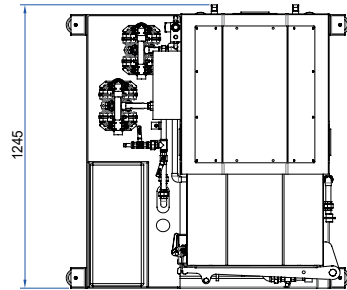
Producer can change dimensions.



ESA 15

Centrifugal Wastewater Treatment System

- ✦ Compact and ergonomic design.
- ✦ Touch color screen PLC controller.
- ✦ Excellent separation with 1500 g force.
- ✦ Wastewater tank with mixer, and clean water tank.
- ✦ Easily changeable PU sludge basket.
- ✦ Patent No: 201606464.



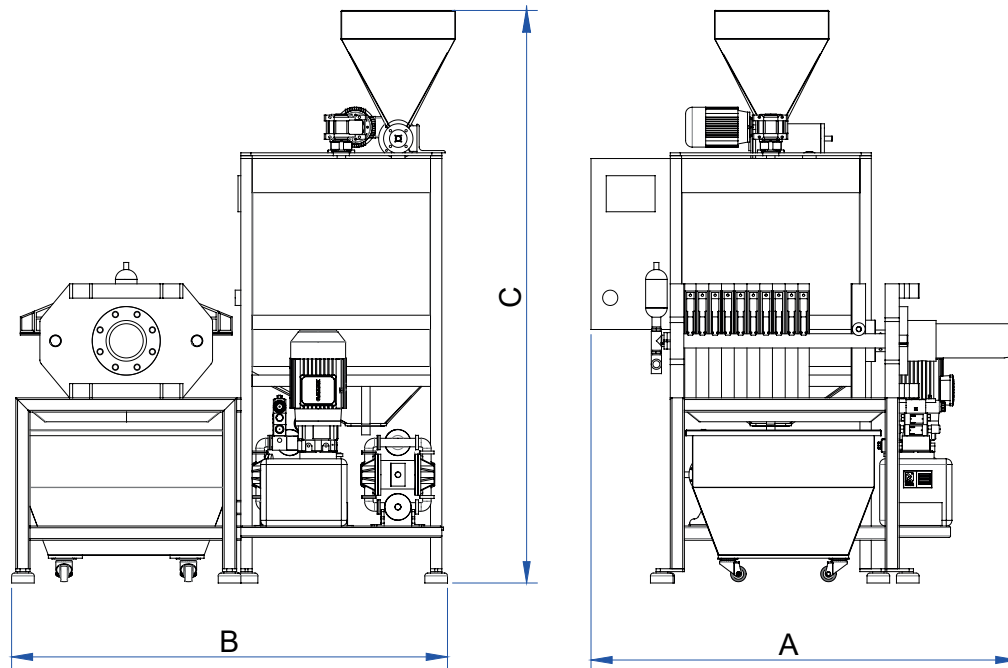
Type	ESA-15
Basket Volume	15 lt
Basket Sludge Volume	7 lt
Wastewater Tank Volume	185 lt
Clean Water Tank Volume	140 lt
Power	3,37
Motor Speed	3000 rpm
G Force	1500 g
Max. Water Flow Rate	600 lt / h
Weight	560 kg

Producer can change dimensions.

FAM

Filter Type Wastewater Treatment System

- ✦ Available for surface finishing wastewater treatment.
- ✦ The system operates continuously and automatically.
- ✦ Water can be continually recycled for long period of process.
- ✦ Compact design.



Type	FAM 500	FAM 1000
Flocculants Mixing Tank	500 lt	1000 lt
Sludge Cake Capacity	23 lt	93 lt
Pressed Sludge Tank Capacity	50 lt	250 lt
Waste Water Treatment Capacity	500 lt / h	700 lt / h
Total Power	1,7 kW	2,05 kW
Weight	350 kg	1100 kg
Dimensions / A-B-C	970 x 1000 x 2120 mm	2700 x 2200 x 2500 mm

Producer can change dimensions.



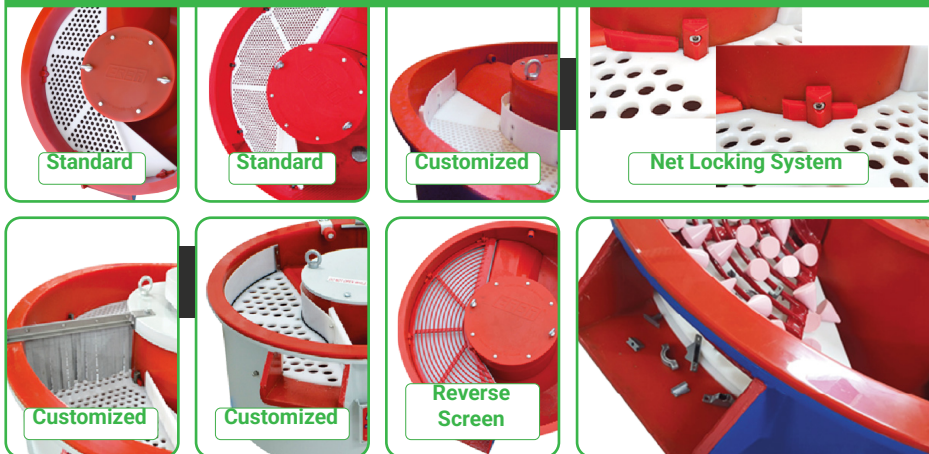
Accessory, Options and Spares

Vibration Motors



Vibramotor is a brand of ERBA Machinery Engineering

Separator Systems



Acoustic and Dust Lids



Hydraulic Pneumatic Unloader



Flaps



Chute



Dividers



Small Media Separation



Magnetic Tumbler



Water Spout



Customized

Customized

Standard

Standard

Customized

Panels



Control Panel with Speed Controller

Standard Control Panel

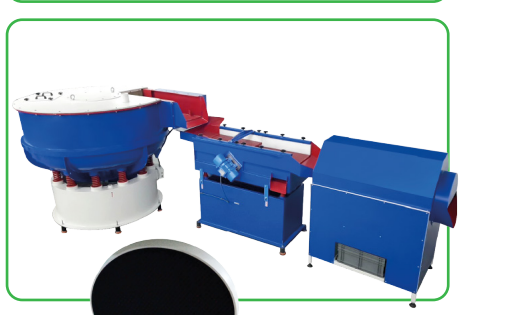
Standard Control Panel for Turbos

Multiple Control Panel for Turbos

Control Panel for System



Linked Systems



Add-On Units



Dust Collection Unit



Hot Air Blower



Hydraulic Loader



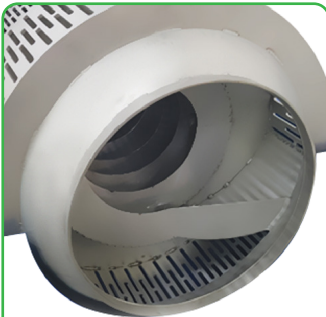
Compound Mixing Tank



Compound Mixing Tank



Loading Lift



Loader



Loader



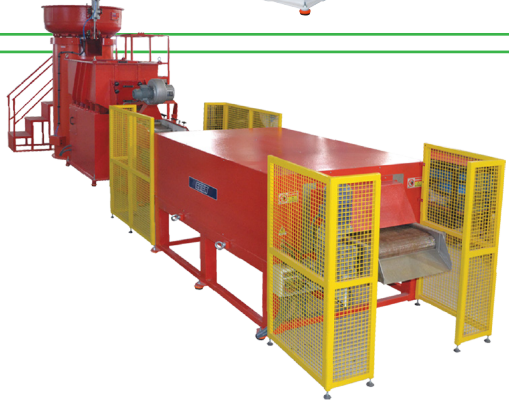
Trommel



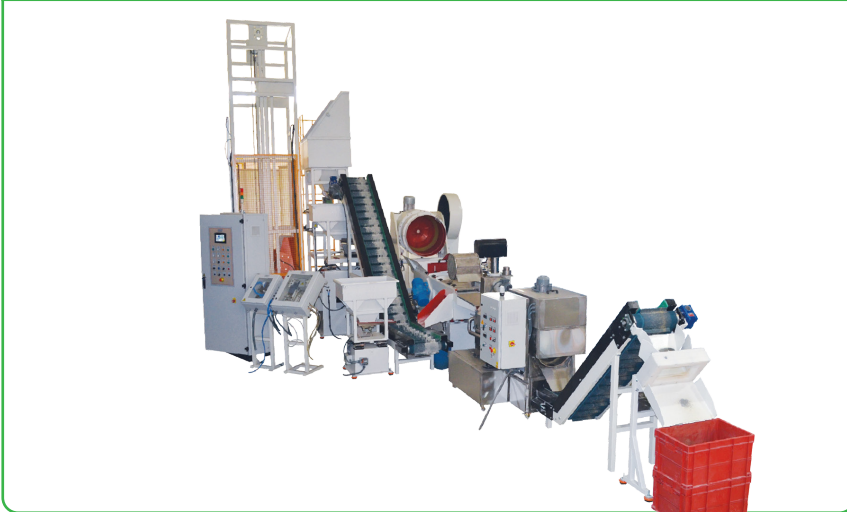
Dosing Unit



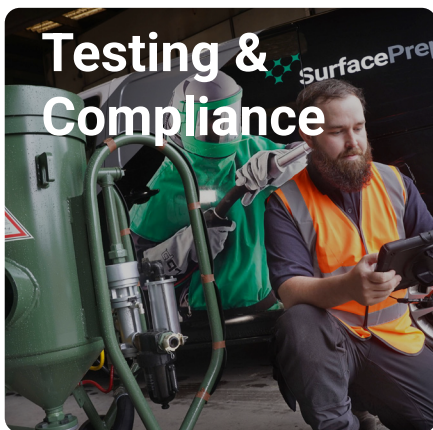
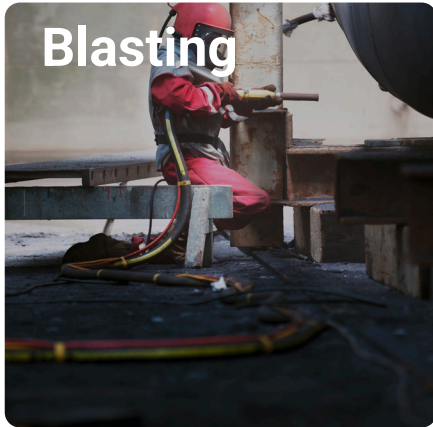
Automated Systems



Automated Systems



SurfacePrep Solutions & Services



www.surfaceprep.co.uk
T: 0114 254 0600